



## 8'x15' Chicken Tractor Plan

---

Designed for up to 8 chickens

## **Disclaimer**

The information provided here will show you how to build a chicken coop. However, we at howtoplans.org do not claim that the recommended techniques are the only way to accomplish this task. It will be the responsibility of each customer to ensure the application of the correct construction methods and the use of the proper materials.

In addition to the selection of the materials, the customer will be responsible for such construction issues as caulking, flashing, gluing, insulating and nailing, for ensuring adequate workmanship in the areas of installation, roofing and weatherproofing, and for any other items that are beyond the control of the designer. The materials mentioned in the plans do not represent an endorsement or recommendation of any particular product.

## **The Responsibility of Users**

Despite our commitment to presenting accurate information, howtoplans.org is not liable for any errors or omissions appearing in the plans. Furthermore, howtoplans.org will not be liable for any consequential, special, incidental or indirect damages resulting from the use of this information. Our freedom from liability also extends to such issues as the loss of anticipated profits or business opportunities, and economic losses stemming from the use of howtoplans.org, regardless of whether there has been notification of such damage.

## **Liability**

Those who utilize the methods described on howtoplans.org will be responsible for their own actions. We are not liable for any injuries or property damage that may arise from the use of the information appearing on this website. If you decide to use these plans, you should employ only quality materials and should always adhere to good safety practices. In the event that you are unable to complete the project on your own, you should contact a certified contractor to ensure that construction is completed with the highest standards.

## **Permissions**

It is important to understand that planning and permission issues are dependent upon local requirements. Users of these plans are responsible for complying with the appropriate statutes and regulations, and for the proper implementation of the plans or other construction information provided by howtoplans.org. The city or county office in your area should be able to provide you with the relevant information.

## **Copyright**

The text and illustrations that appear here are the exclusive property of howtoplans.org and are protected by federal copyright laws. The one-time use of the plans is limited to anyone who purchases them. The duplication, publication, sale or distribution of any portion of these plans without prior written consent from the original designer will be subject to the appropriate penalties for copyright infringement.

# 8' x 15' Chicken Tractor Material List

## Coop's Main Frame

- Pressure-Treated Lumber
- Plywood
- Dowel
- Wire mesh

## Coop's Roof

- Pressure-Treated Lumber
- Plywood
- Corrugated roof panel
- Metal roof ridge cap

## Side Walls Exterior Siding (2x)

- Pressure-Treated Lumber
- Wood siding boards

## Front Wall Exterior Siding

- Pressure-Treated Lumber
- Wood siding boards

## Inner Wall Exterior Siding

- Pressure-Treated Lumber
- Plywood

## Nest Box (2x)

- Pressure-Treated Lumber
- Plywood
- Corrugated roof panel
- Wood siding boards

## Coop's Door Vertical/horizontal

- Pressure-Treated Lumber
- Wood siding boards

## Wheelbase

- Mending plate
- Wheel
- Hex Nut
- Bent Washer
- Washer
- Threaded Stud

## Coop's Window

- Pressure-Treated Lumber
- Wire mesh

## Aviary's Door and Stairs

- Pressure-Treated Lumber
- Pressure-Treated Board
- Wire mesh

## Roost

- Pressure-Treated Lumber

## Fasteners & Hardware

- Corner braces
- Door hinges
- Door pulls
- Surface bolt
- Galvanized nails
- Sheet metal screw with neoprene washer
- Wood screws

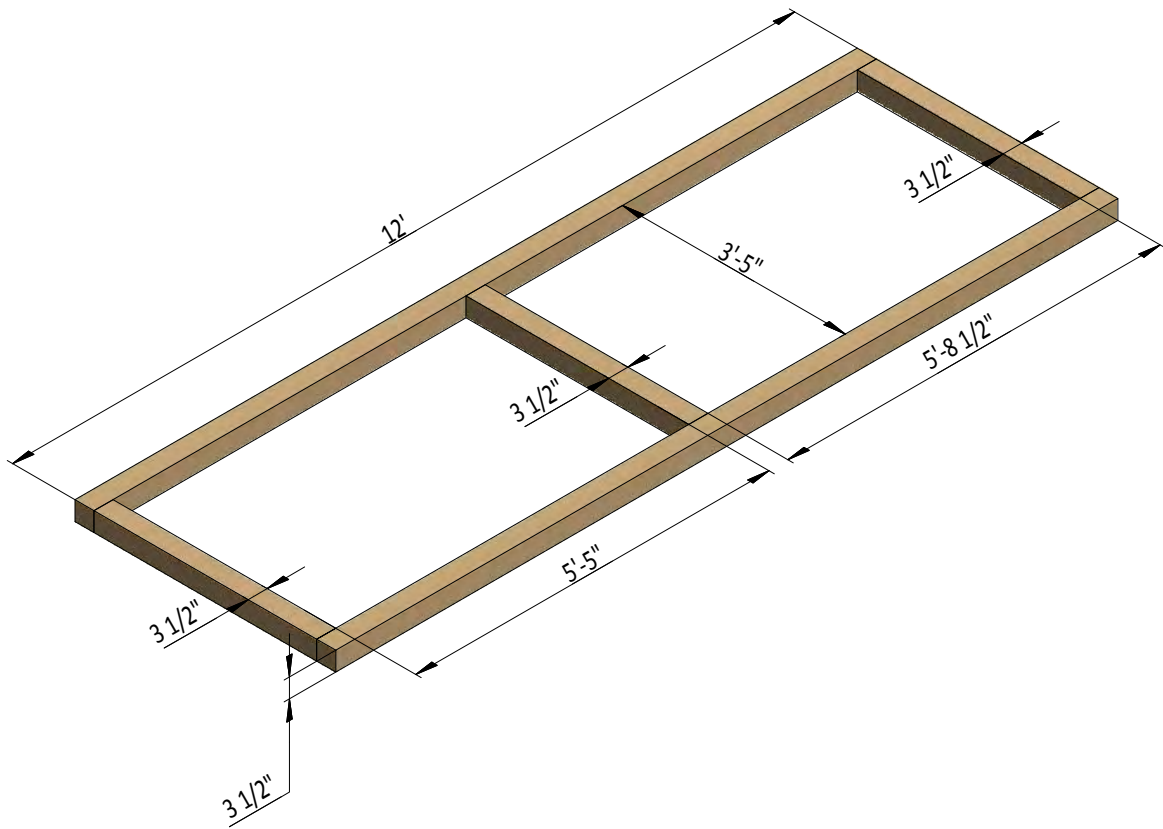
## STEP 1

### Assemble The Bottom Frame

**1.1** Assemble the frame using 3 1/2" x 3 1/2" pressure-treated material. You will need two boards cut to 12' that will be the rim joist and four boards cut to 3'-5" that will be the joist.

**1.2** Secure the beams into the frame with 2x5" wood screws.

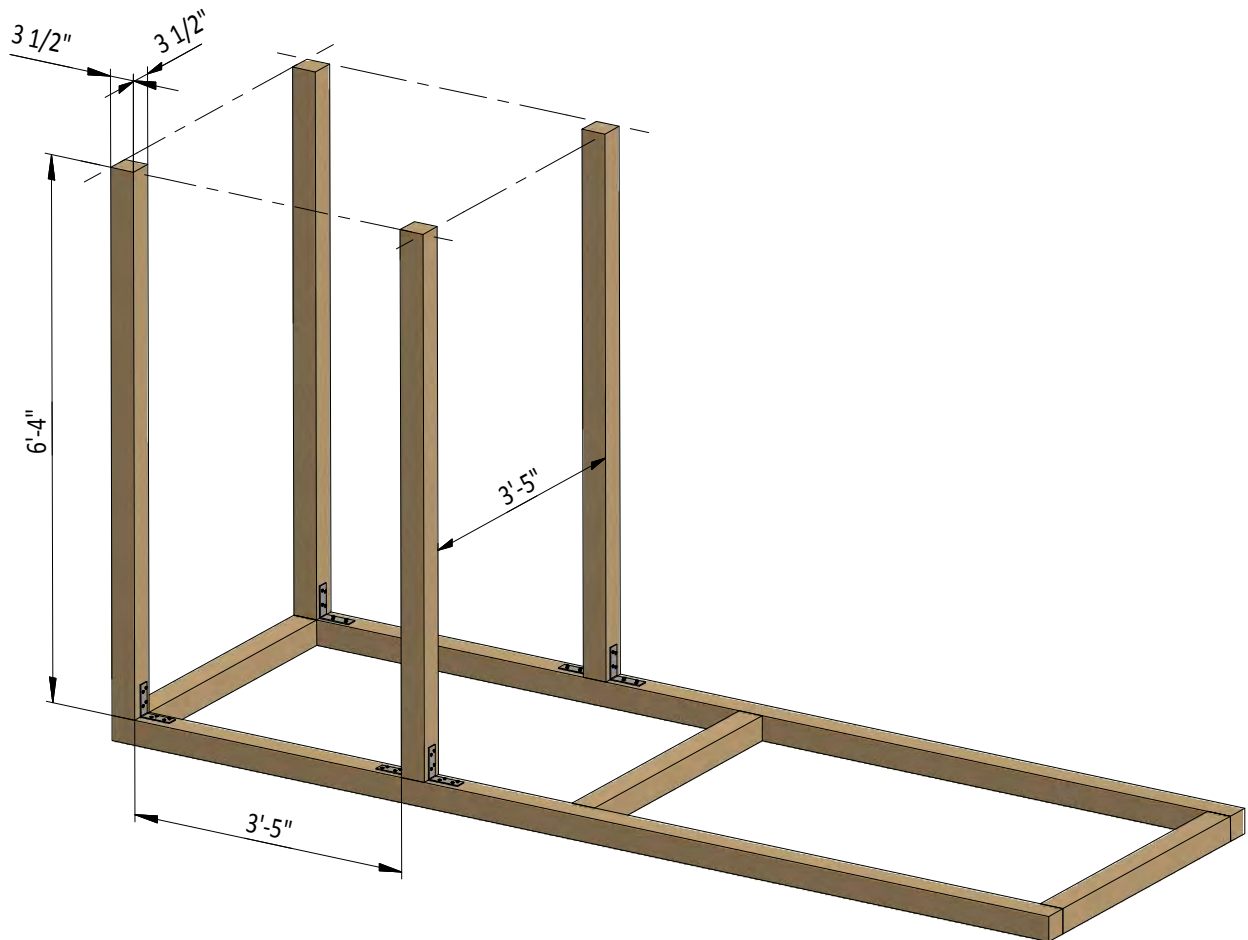
**1.3** Using a speed square or carpenter's square, check the corners to make sure they are 90 degrees.



## STEP 2

### Assemble The Coop's Studs

- 2.1 Using 3 1/2" x 3 1/2" pressure-treated material, cut four studs and assemble using the illustrations below as a reference.
- 2.2 Use 4 1/2 " x 4 1/2 " x 1/2 " corner braces and 8x1" wood screws to secure the corners.
- 2.3 Make sure the corners are 90 degrees using a carpenter's square or speed square.



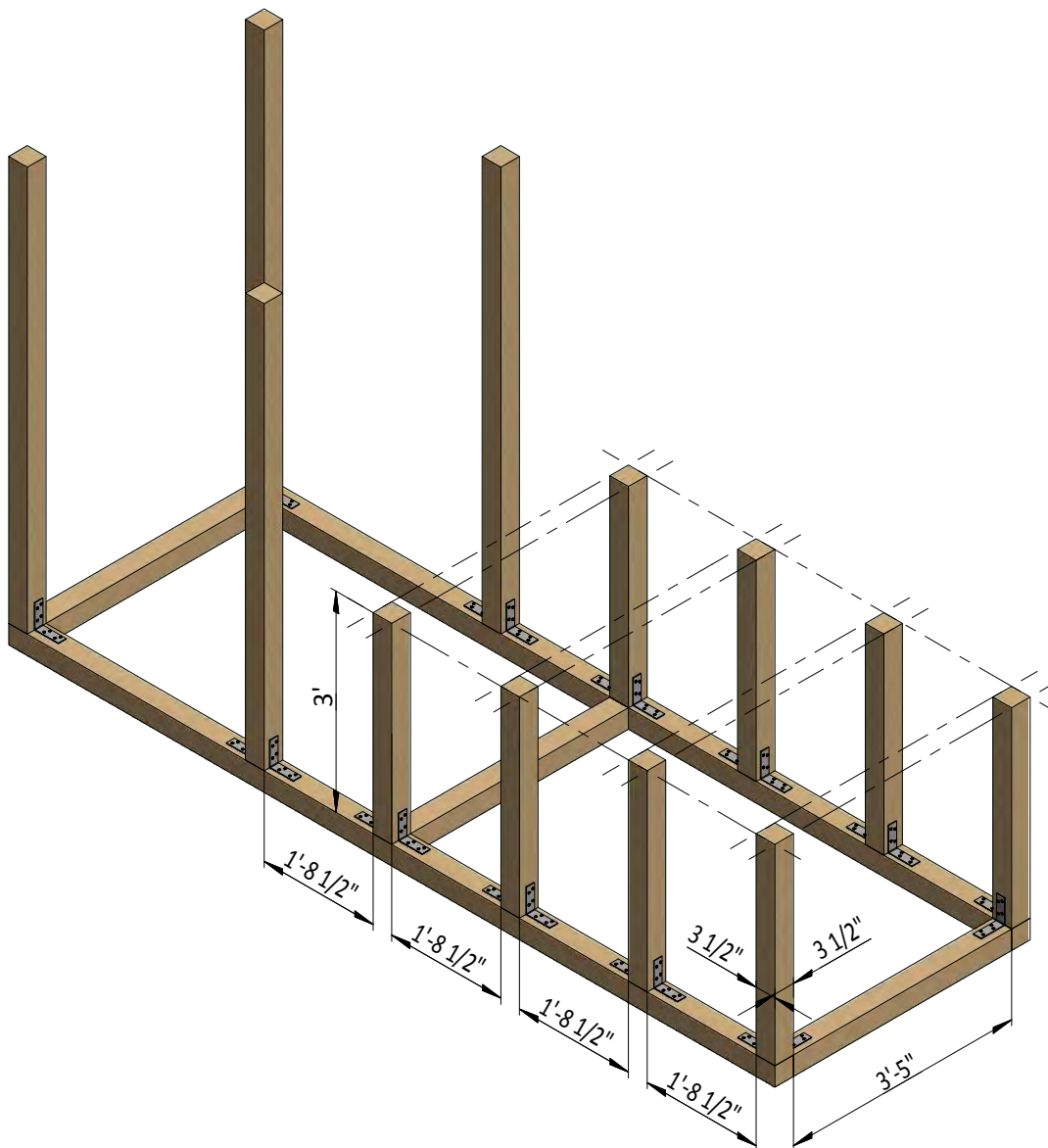
## STEP 3

### Assemble The Aviary's Studs

**3.1** Using 3 1/2" x 3 1/2" pressure-treated material, cut eight studs and assemble using the illustrations below as a reference.

**3.2** Use 4 1/2 " x 4 1/2 " x 1/2 " corner braces and 8x1" wood screws to secure the corners.

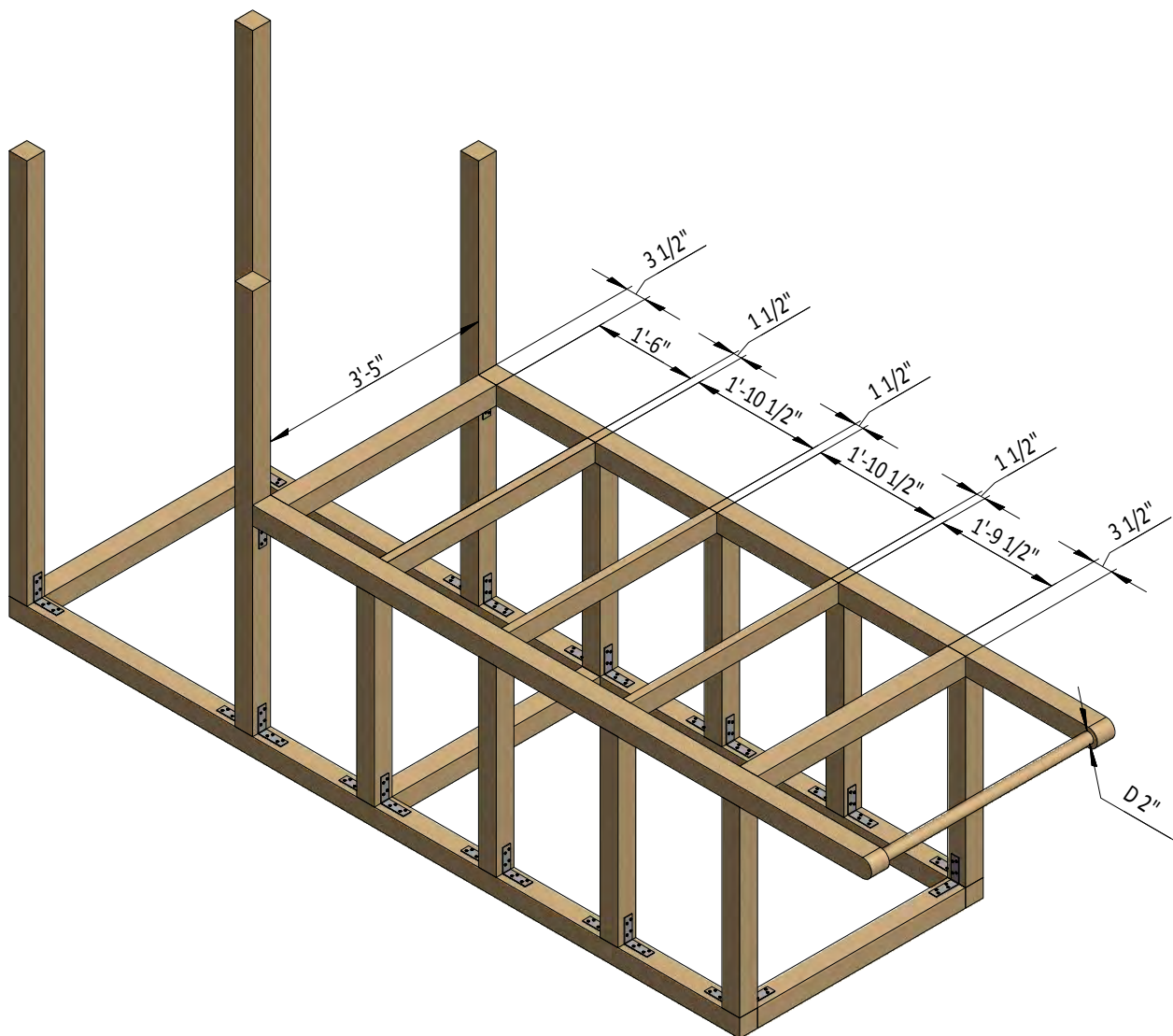
**3.3** Make sure the corners are 90 degrees using a carpenter's square or speed square.



## STEP 4

### Assemble The Aviary's Top Frame Joists

- 4.1 Provide the top frame joists using 3 1/2" x 3 1/2" and 1 1/2" x 3 1/2" pressure-treated material.
- 4.2 Make the round handle from the dowel 2" diameter and put it in round opening.
- 4.3 Secure the joists to the top frame with 4x5" wood screws.
- 4.4 Using a speed square or carpenter's square, check the corners to make sure they are 90 degrees.



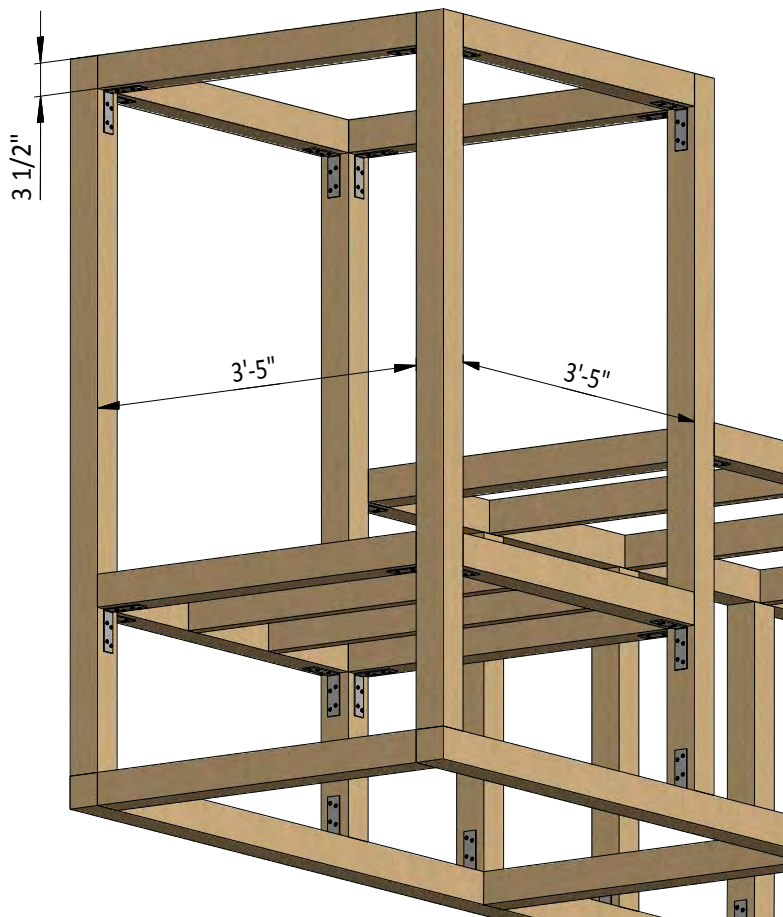
## STEP 5

### Assemble The Coop's Top Frame

5.1 Using 3 1/2" x 3 1/2" pressure-treated material, cut four joists and assemble using the illustrations below as a reference.

5.2 Use 4 1/2" x 4 1/2" x 1/2" corner braces and 1" wood screws to secure the corners.

5.3 Make sure the corners are 90 degrees using a carpenter's square or speed square.

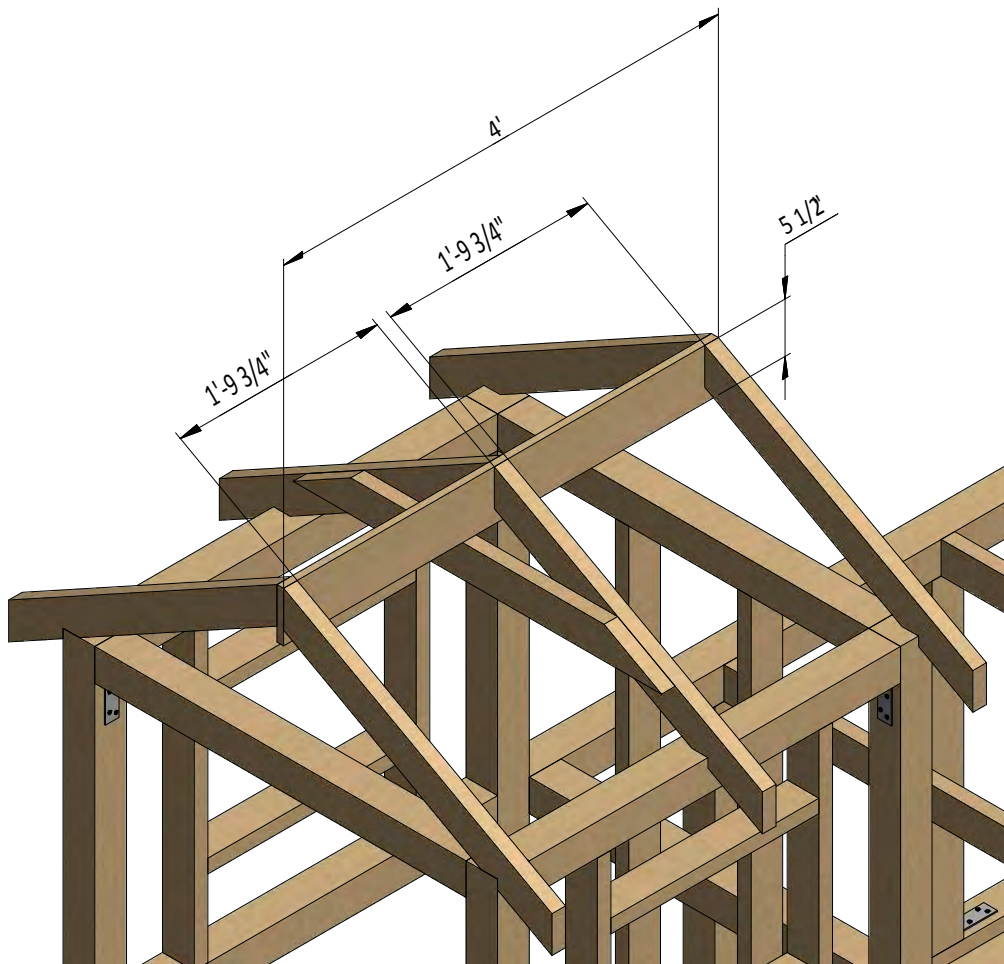




## STEP 6

### Assemble The Roof Frame

- 6.1 Use 1 1/2 " x 3 1/2 " material to create six rafters for coop.
- 6.2 Use 1 1/2 " x 3 1/2 " material to create collar tie for coop .
- 6.3 Use 3/4 " x 5 1/2 " material to create the ridge board.
- 6.4 Connect the beams with 2x3" wood screws and assemble the roof frame.



## STEP 7

### Assemble and Install Coop Doors

**7.1** Assemble the two vertical frame and one horizontal frame from the pressure-treated lumber with cross section 1 1/2" x 2 1/2" with 2x5" wood screws according to the drawing.

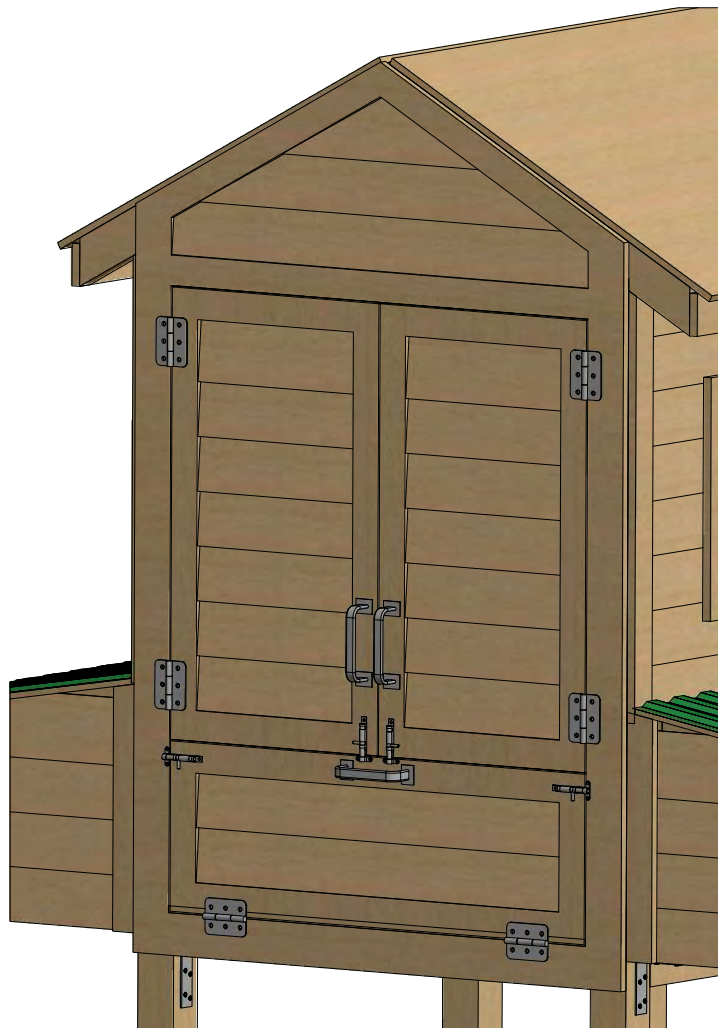
**7.2** Install door trims from the pressure-treated lumber with cross section 1 1/2" x 3/4" with 2" wood screws according to the drawing.

**7.3** Prepare and install starter courser from the pressure-treated lumber with cross section 1/4" x 3/4".

**7.4** Prepare the 1/2" x 6" wood siding boards in the required amount according to the drawing.

**7.5** Assemble siding shields with 2" galvanized nails.

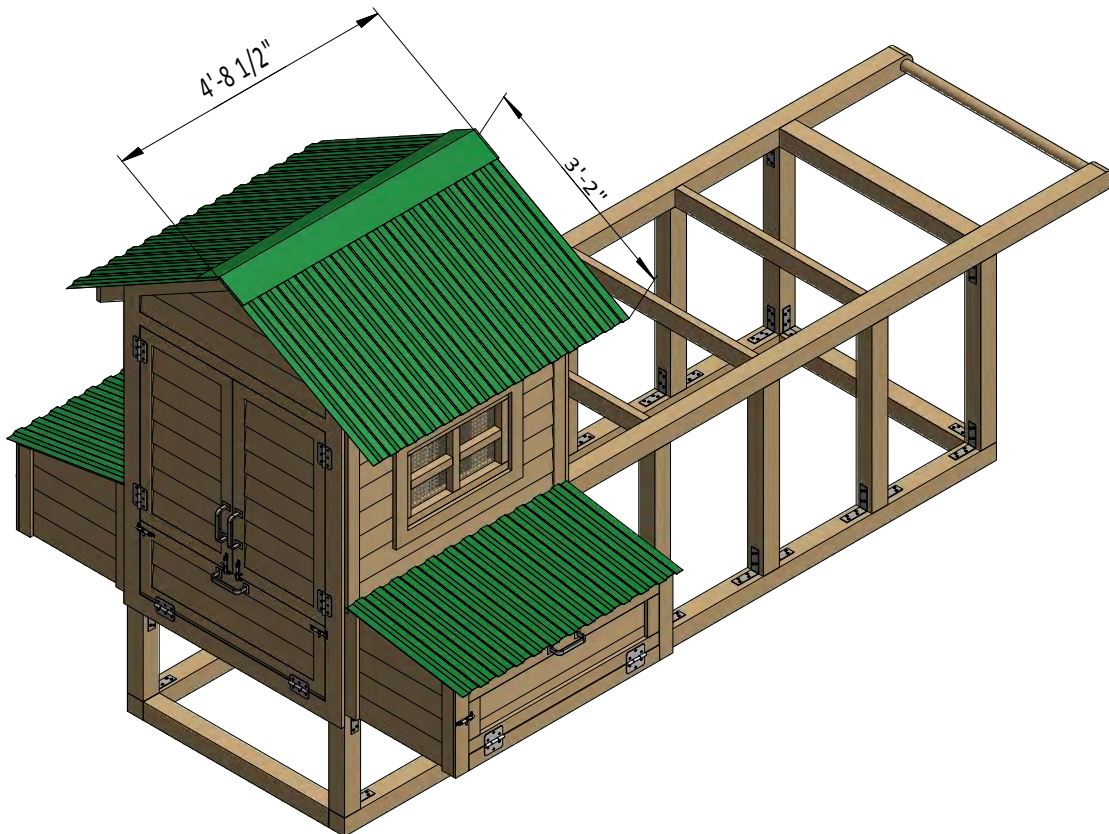
**7.6** Install three 3" door hinges using 2x1" wood screws. Finish the door installation by attaching 4" surface bolt and 6" door pulls.



## STEP 8

### Installing Corrugated Roofing

- 8.1 To cover the roof will need 30 ft<sup>2</sup> of corrugated roof panel.
- 8.2 Fasten the panels with 1 1/2" sheet metal screw with neoprene washer.
- 8.3 Prepare and install metal roof ridge caps according to the drawing.



## STEP 9

# Wheel Base Assemble And Installation

9.1 Drill six holes in studs.

9.2 Insert and secure the threaded stud in the hole. Secure it with mending plates from both sides. Put on wheels and fasten them according to the diagram.



## Decorate the Coop

Don't forget to choose the desirable paint for your mood and the colors of your yard. Decorate your chicken coop by giving it unique and stylish look.



## Get Support

If you have any questions or want to share the feedback, please do not hesitate contacting us:

<https://www.howtoplans.org/contact/>